

# *Sensormatic*<sup>®</sup>

## AM Loop

---

## Key Advantages

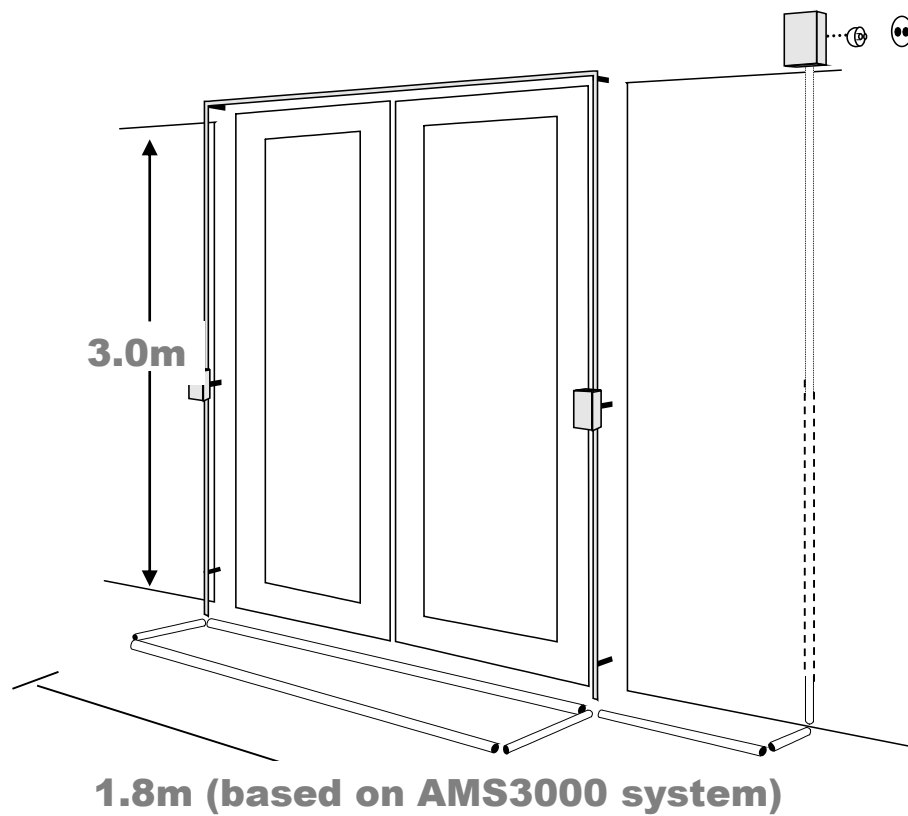


- Concealed for excellent Aesthetics
  - Excellent aesthetic fit with any retail environment
  - Compatibility with all AM labels and hard tags

## Features Functions Benefits

Feature	Function	Benefit
Non-Pedestal system	System mounts directly to the doorframe	Requires less floor space than a traditional antenna. Blends into the store decor
Aesthetic design	Extrusions designed to blend with the doorframe	Blends into the store decor
Digital electronics	Sophisticated operating parameter configurable via a PC to filter electronic noise	Ensure dependable protection in all store environments
Dry contact(s) on board relay function	Alarm contact allows to switch any external device among others CCTV....alarms	Enhance shoplifting deterrence and as such improves operational management of the store

# AM Loop



# Installation Considerations

- Installation of the Loop system will require some floor cutting. The section of the transmit loop that goes into the floor is housed in a ½" (1.25cm) conduit.
- A 1' X 1" (2.5 X 2.5 cm) trench will have to be cut in the floor to accommodate the conduit.
- Transmitter cable is installed in an extrusion that is applied to the door frame
  - Extrusion comes in two colors, black and aluminum

# Installation



# Aesthetics



# Applications

